

MIB

ETHERNET INTERFACE BOARD

- ▼ Base Station/Ethernet Gateway for MICA2 Motes
- ▼ Mote Network Testbed
- ▼ Remote In-System Programming for MICA2 Processor/Radio Boards
- ▼ Full TCP/IP Protocol
- ▼ Power Over Ethernet (POE) Ready

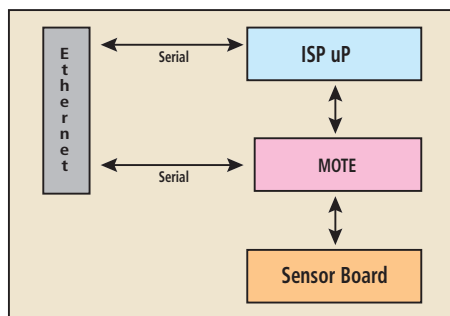
Applications

- ▼ Ethernet Network Interface
- ▼ Testbed Deployments
- ▼ In-System Programming
- ▼ Network Connectivity via TCP/IP

MIB600CA

The MIB600CA provides Ethernet (10/100 Base-T) connectivity to the MICA2 family of motes for communication and in-system programming. The MIB600CA allows remote access to sensor network data via TCP/IP. The MIB600CA serial server connects directly to a 10 Base-T LAN like any other network device. The MIB600CA can bridge "wired" and "wireless" segments of a network. The MIB600CA is also an effective conduit for sensor data.

The MIB600CA offers two separate ports: One dedicated to in-system Mote programming and a second for routine data communication over the LAN. The built-in Power Over Ethernet (POE) feature eliminates the need for an external power source, simplifying installation and maintenance.



MIB600CA Block Diagram



Specifications:

ETHERNET NETWORK INTERFACE

- RJ-45
- 100 Base
- IEEE 802.3 / IEEE 802.3af POE
- ARP, UDP/IP, TCP/IP, Telnet, DHCP, BOOTP, TFTP, Auto IP, and HTTP
- Indicators: 10 Base-T & 100 Base-TX

LAN INTERFACE

- Internal Web server, Serial login, Telnet login
- Security: password protection, locking features

MOTE INTERFACE

- Connector: MICA2
- Interface: UART
- RS232 9.6-230.4 k baud
- MICA2 LEDs - Red, Green, Yellow, Power OK
- Management: Dedicated TCP/IP Port for Mote UART

IN-SYSTEM PROGRAMMING

- Protocol: UISP version 20030820TinyOS
- ISP Active LED
- Dedicated TCP/IP Port for In-System Programming
- Remote Mote RESET

PHYSICAL AND ENVIRONMENTAL

- Size: (L x W x H)
4.63" x 2.29" x 1"
11.76cm x 5.82cm x 2.54cm
- IEEE 802.3af POE 5V/082
- Shipped with external power supply

Ordering Information

Model	Description
MIB600CA	Ethernet Interface Board